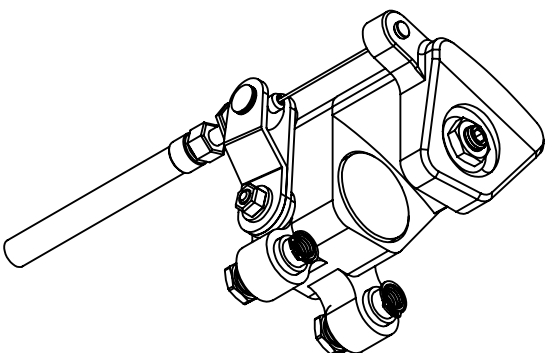
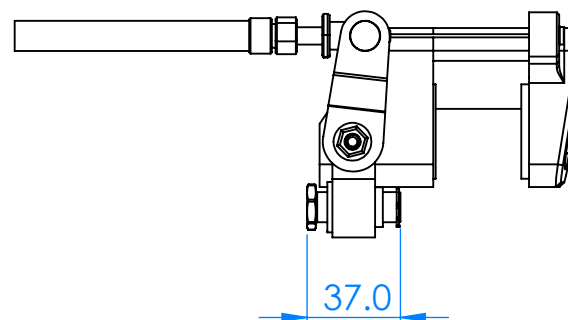
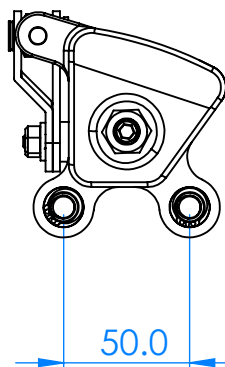
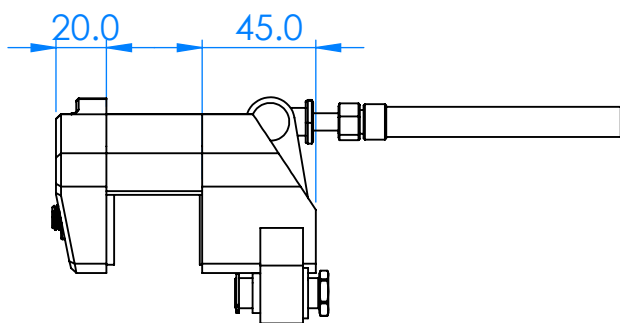
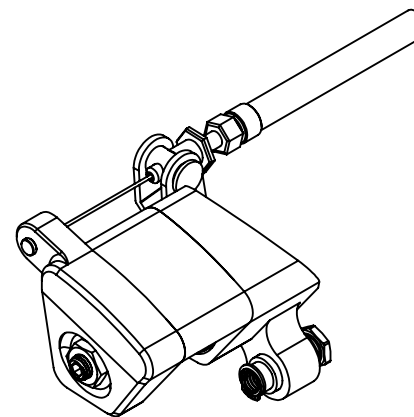
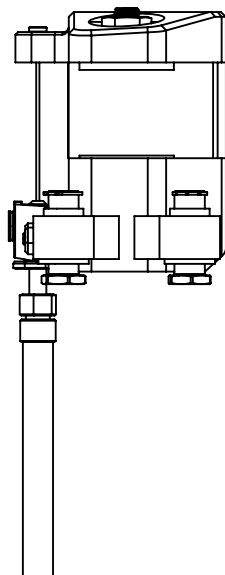


UNLESS OTHERWISE SPECIFIED:
DIMENSIONS ARE IN MILLIMETERS
SURFACE FINISH:
TOLERANCES:
LINEAR:
ANGULAR:

DEBURR AND
BREAK SHARP
EDGES



Hi SPEC BRAKES <small>UK</small>	
DWG NO.	<u>Spot V3-</u> <u>32mm</u> <u>disc (2)</u>
TITLE:	
MATERIAL:	
WEIGHT:	
DRAWN BY:	
DATE:	
 First Angle	SCALE:1:3 DO NOT SCALE DRAWING SHEET 1 OF 2
	 A4